



2020 PRODUCT GUIDE



CONTENTS

Countertop Appliances	3 – 14
Cutlery	15 – 30
Product Warranty	31

NOTES:

- Model numbers and prices are subject to change at any time.
- Dimensions in parentheses are in millimeters unless otherwise specified.
- Additional accessories are available online at wolfgourmet.com

MODEL NUMBER KEY

BRAND

Wolf Gourmet	WG
--------------	----

PRODUCT

Blender	BL
Coffee System	CS
Countertop Oven	CO
Griddle	GR
Multi-function Cooker	SC
Toaster	TR
Stand Mixer	SM
Cutlery	CU

SERIES

Series Number	First Digit
Type/Style/Configuration	Second/Third Digit
Two Slice Toaster	02
Four Slice Toaster	04



ELITE COUNTERTOP OVEN WITH CONVECTION

MODEL

- WGC0150S (Red Knob) UPC 040094938285
- WGC0170SR (Silver Knob
with Black Knob Accessory) UPC 040094938568

FEATURES

- Advanced perimeter convection function
- Internal temperature probe
- Precision temperature control
- 7 cooking modes: Proof, Warm, Roast, Bake, Broil, Toast and Bagel
- 5 heating elements
- Interior light
- 2 easy-glide racks
- Crumb tray and side rack holders remove for optimal cleaning
- Nonstick interior
- Includes baking pan with broiling rack
- Fits most 9" x 13" stoneware dishes
- Insulated interior
- 5 year limited warranty

ACCESSORIES INCLUDED

- Baking Pan
- Temperature Probe
- Slide-Out Crumb Tray
- Broil Rack
- 2 Oven Racks
- Side Rack Holders
- Technique/Recipe Book



SPECIFICATIONS

Interior Capacity	1.1 cu ft (31.2 L)	
Interior Dimensions	16"W (406) x 5½"H (140) x 12¼"D (312)	
Electrical Rating	120 V~, 60 Hz, 1800 W	
Product		
Dimensions	22½"W (572) x 16¾"D (425) x 12½"H (318)	
Weight	38 lbs (17.3 kg)	
Carton		
Dimensions	26⅞"W (678) x 19⅔"D (493) x 17⅖"H (442)	
Weight	49 lbs (22.3 kg)	
Master Pack		
Dimensions	19⅑/10"W (506) x 27⅙"D (691) x 18⅔"H (467)	
Weight	53.7 lbs (24.4 kg)	
Quantity	1	
Agency		



WOLFGOURMET.COM

4/2020

MULTI-FUNCTION COOKER

MODEL

- WGSC100S (Red Knob) UPC 040094935154
- WGSC120SR (Silver Knob with Black Knob Accessory) UPC 040094937219

FEATURES

- 6 cooking modes:
 - Sauté/sear:** low, medium, or high
 - Rice:** 4-18 cups white or brown
 - Manual:** low, medium, or high heat for up to 24 hours
 - Meal timer:** set cooking hours based on serve time
 - Program:** with probe and desired temperature or with 2 heat settings and cooking times
 - Sous Vide:** set to desired temperature
- Temperature probe for slow cooking and sous vide cooking
- Intuitive programmable controls and LCD panel
- Removable 7 qt. stainless steel tri-ply vessel
- 7 qt. cooking vessel can be used on all cooking surfaces including induction
- 5 year limited warranty

ACCESSORIES INCLUDED

- Oven, Induction and Dishwasher-Safe Cooking Vessel
- Oven-Safe Glass Lid
- Removable Sous Vide Rack
- Temperature Probe
- Technique book is available online at wolfgourmet.com



SPECIFICATIONS

Interior Cooking Vessel Capacity	7 Qt (6.6 L)
Interior Dimensions	4 ⁷ / ₁₀ "W (111) x 5 ⁷ / ₁₀ "H (144) x 4 ² / ₅ "D (118)
Electrical Rating	120V~, 1300W
Product	
Dimensions	17 ¹ / ₄ "W (438) x 14"D (355) x 10 ¹ / ₄ "H (260)
Weight	22 lbs (9.9 kg)
Carton	
Dimensions	19 ³ / ₁₀ "W (490) x 17 ³ / ₁₀ "D (441) x 13 ⁷ / ₁₀ "H (347)
Weight	27.9 lbs (12.7 kg)
Master Pack	
Dimensions	17 ⁴ / ₅ "W (454) x 19 ³ / ₄ "D (501) x 14 ¹ / ₂ "H (368)
Weight	31.4 lbs (14.2 kg)
Quantity	1
Agency	



WOLFGOURMET.COM

4/2020

PRECISION GRIDDLE

MODEL

- WGGR100S (Red Knob) UPC 040094935161
Black and Silver knobs available at wolfgourmet.com

FEATURES

- 12" x 17" cast aluminum surface with $\frac{1}{2}$ " deep rim
- Superior nonstick coating
- Extra-thick cooking surface has exceptional heat retention
- Cast-in heater provides even cooking
- 150° - 450° F temperature control (including Warm setting)
- Lid with soft-grip handle
- Drain opening and drip tray
- Power and preheat lights
- Removable, dishwasher safe drip tray
- Cord wrap
- 5 year limited warranty

ACCESSORIES INCLUDED

- Stainless Steel Vented Lid
- Removable Stainless Steel Drip Tray



SPECIFICATIONS

Electrical Rating	120 V~, 1800 W
Product	
Dimensions	17 $\frac{3}{5}$ " W (447) x 17"D (431) x 8"H (203)
Weight	21 lbs (9.5 kg)
Carton	
Dimensions	21"W (533) x 19"D (482) x 11 $\frac{1}{4}$ "H (285)
Weight	26 lbs (11.9 kg)
Master Pack	
Dimensions	21 $\frac{1}{2}$ "W (546) x 19 $\frac{1}{4}$ "D (488) x 11 $\frac{1}{2}$ "H (292)
Weight	26.25 lbs (11.9 kg)
Quantity	1
Agency	



WOLFGOURMET.COM

4/2020

COFFEE SYSTEM

MODEL

- WGCM100S (Red Knob) UPC 040094937851
- WGCM120SR (Silver Knob with Black Knob Accessory) UPC 040094939015

FEATURES

- Brews up to 10 cups of superior-tasting coffee
- Accu-Brew™ mode uses an ingrated scale to weigh coffee grounds
- Optimal brewing time and temperature
- Thermal 10 cup stainless steel carafe with double-wall construction
- Water sprays evenly over grounds for optimal extraction
- Removable 50 oz. (1.5L) water reservoir
- LCD panel with intuitive icons
- 5 year limited warranty

ACCESSORIES INCLUDED

- Removable Water Filter Holder
- Water Filter Sachets
- Stainless Steel Carafe and Lid
- Water Reservoir and Lid
- Filter Basket



SPECIFICATIONS

Carafe Capacity	10 cups (1.5 L)
Electrical Rating	120 V~, 60 Hz, 1500 W
Product	
Dimensions	11 2/5"W (289) x 10 3/5"D (269) x 14 3/5"H (371)
Weight	13.7 lbs (6.2 kg)
Carton	
Dimensions	13"W (330) x 12 1/4"D (311) x 17 1/4"H (438)
Weight	15 lbs (6.8 kg)
Master Pack	
Dimensions	13 1/2"W (343) x 13 1/2"D (343) x 17 1/2"H (444)
Weight	17 lbs (7.7 kg)
Quantity	1

Agency



WOLFGOURMET.COM

4/2020

COFFEE SYSTEM WATER REPLACEMENT FILTERS (6 PACK)

MODEL

- WGCM350 EAN 0040094942091

FEATURES

- Compatible with the Wolf Gourmet coffee systems
- Reduces chlorine taste
- Coffee system reminds you when to change the filter
- Advanced activated charcoal filtration
- Micro-mesh covering
- Easily inserts into filter holder

**SPECIFICATIONS**

Carton	
Dimensions	3 3/4"W (95) x 10 1/4"D (260) x 6"H (152)
Weight	1.15 lbs (0.5 kg)
Quantity	6



WOLFGOURMET.COM

4/2020

HIGH-PERFORMANCE BLENDER

MODEL

- WGBL100S (Red Knob) UPC 040094923427
- WGBL120SR (Silver Knob with Black Knob Accessory) UPC 040094930661

FEATURES

- 2.4 peak HP motor
- Ultra-responsive variable speed
- Intuitive LCD control panel
- 4 program settings: Smoothie (55 Sec), Ice Crush (1 min), Puree (1 min 15 sec) and Soup (6 min 45 sec)
- Fits under standard-size cabinets
- Unique design for quiet blending
- 64 oz. Tritan™ jar
- Pulse at any speed
- 5 year limited warranty

ACCESSORIES INCLUDED

- 64 oz. Tritan™ Jar with Blender Lid and Cutting Blade
- Jar Pad
- Tamper
- Filler Cap/Emulsion Cup
- Technique/Recipe Book



SPECIFICATIONS

Jar Capacity	64 oz (1.89 L)
Electrical Rating	120V~, 60 Hz, 13.8 A
Product	
Dimensions	7 1/2"W (191) x 9"D (229) x 17 1/8"H (454)
Weight	13 lbs (6 kg)
Carton	
Dimensions	16 1/2"W (419) x 13 3/10"D (335) x 11"H (279)
Weight	16 lbs (8 kg)
Master Pack	
Dimensions	13 4/5"W (95) x 17"D (432) x 11 1/2"H (292)
Weight	17.8 lbs (8 kg)
Quantity	1
Agency	



WOLFGOURMET.COM

4/2020

PRO-PERFORMANCE BLENDER

MODEL

- WGBL200S (Red Knob) UPC 040094939862
Black and Silver knobs available at wolfgourmet.com

FEATURES

- 2.2 peak HP motor
- Infinitely variable speed control with pulse option lets you blend ingredients to your exact preference
- 4 program settings: Smoothie (55 Sec), Ice Crush (1 min), Puree (1 min 15 sec) and Soup (6 min 45 sec)
- Fits under standard-size cabinets
- Unique design for quiet blending
- 64 oz. Tritan™ jar
- Pulse at any speed
- 5 year limited warranty

ACCESSORIES INCLUDED

- 64 oz. Tritan™ Jar with Blender Lid and Cutting Blade
- Jar Pad
- Tamper
- Filler Cap/Emulsion Cup
- Technique book is available online at wolfgourmet.com



SPECIFICATIONS

Jar Capacity	64 oz (1.89 L)
Electrical Rating	120V~, 60 Hz, 13.8 A
Product	
Dimensions	7 1/2"W (191) x 9"D (229) x 20 1/4"H (514)
Weight	13 lbs (6 kg)
Carton	
Dimensions	16 5/8"W (422) x 13 1/4"D (337) x 11 1/4"H (286)
Weight	14.8 lbs (7 kg)
Master Pack	
Dimensions	13 3/4"W (349) x 17"D (432) x 12 1/4"H (311)
Weight	16.25 lbs (7 kg)
Quantity	1
Agency	



WOLFGOURMET.COM

4/2020

32 OZ/1 LITER BLENDER JAR

MODEL

- WGBL134S UPC 040094936045

FEATURES

- Compact size is ideal for smaller batch processing of dressings, mayonnaise, dips and smoothies
- Use with any Wolf Gourmet® Blender
- Two-piece lid assembly includes an emulsion cup for dressings and marinades and a filler cap with measurement marks
- 32 oz./1 liter jar with measurement marks is shatterproof and BPA-free
- Stainless steel blades are hardened for durability
- 5 year limited warranty

ACCESSORIES INCLUDED

- 32 oz. Tritan™ Jar with Blender Lid and Cutting Blade
- Filler Cap/Emulsion Cup



SPECIFICATIONS

Jar Capacity	32 oz (0.94 L)
Product	
Dimensions	5 3/4"W (146) x 5 3/4"D (146) x 10"H (254)
Weight	2.1 lbs (1 kg)
Carton	
Dimensions	8 2/5"W (213) x 8 2/5"D (213) x 13 3/10"H (338)
Weight	2.9 lbs (1.3 kg)
Master Pack	
Dimensions	9 1/10"W (231) x 9 1/10"D (231) x 14 1/10"H (358)
Weight	3.5 lbs (1.6 kg)
Quantity	1



WOLFGOURMET.COM

4/2020

2 SLICE TOASTER

MODEL

- WGTR102S (Red Knob) UPC 040094923939
- WGTR122SR (Silver Knob
with Black Knob Accessory) UPC 040094930685

FEATURES

- Extra-wide bread slots
- Self-centering bread guides for even toasting
- Slide-out crumb tray
- Keep warm setting
- Bagel setting
- Frozen setting
- Shade selector
- Commercial-grade heating elements
- 5 year limited warranty

ACCESSORIES INCLUDED

- Crumb Tray



SPECIFICATIONS

Electrical Rating	120V~, 60 Hz, 900W
Product	
Dimensions	7"W (178) x 12"D (305) x 8"H (203)
Weight	6.6 lbs (3 kg)
Carton	
Dimensions	9½"W (241) x 9½"D (241) x 11¼"H (298)
Weight	9 lbs (4 kg)
Master Pack	
Dimensions	10"W (254) x 14 ⁹ / ₁₀ "D (381) x 12 ⁴ / ₅ "H (324)
Weight	10 lbs (4.5 kg)
Quantity	1
Agency	



WOLFGOURMET.COM

4/2020

4 SLICE TOASTER

MODEL

- WGTR104S (Red Knob) UPC 040094923441
- WGTR124SR (Silver Knob
with Black Knob Accessory) UPC 040094930456

FEATURES

- Extra-wide bread slots
- Self-centering bread guides for even toasting
- Slide-out crumb trays
- Keep warm setting
- Bagel setting
- Frozen setting
- Shade selectors
- Commercial-grade heating elements
- 5 year limited warranty

ACCESSORIES INCLUDED

- Crumb Trays



SPECIFICATIONS

Electrical Rating	120V~, 60 Hz, 1800W
Product	
Dimensions	12 ¹ / ₈ "W (308) x 12"D (305) x 8"H (203)
Weight	10.4 lbs (4.7 kg)
Carton	
Dimensions	14 ¹ / ₂ "W (368) x 14 ² / ₅ "D (366) x 10 ¹ / ₂ "H (267)
Weight	13.6 lbs (6.1 kg)
Master Pack	
Dimensions	14 ⁹ / ₁₀ "W (378) x 15"D (381) x 11 ¹ / ₂ "H (292)
Weight	15.2 lbs (7 kg)
Quantity	1
Agency	



WOLFGOURMET.COM

4/2020

HIGH-PERFORMANCE STAND MIXER

MODEL

- WGS100S (Red Knob with Black and Silver Knob Accessory) UPC 040094939541

FEATURES

- Robust motor/gear system for superior performance
- Planetary mixing action provides complete bowl coverage
- Patent-pending bowl lift — proprietary design provides effortless bowl adjustment and optimum stability, so you can easily rotate and lock the bowl
- A gentle turn of the handle lifts the bowl up and locks it into the mixing position
- Multiple engagement points in base securely lock bowl in place to prevent bowl from moving while mixing
- Robust motor/gear system maintains constant speed and power regardless of contents in the bowl, even while mixing dense bread dough
- Variable infinite speed dial with pulse function provides precision control for every recipe
- Professional-grade 7-quart bowl with handle
- Specialty attachment area with cover lets you add food processing versatility in the future
- Includes flat beater, whisk, and dough hook
- Stainless steel construction with brushed finish
- Splash/pouring shield with ingredient spout helps prevent splatters
- 5 year limited warranty

ACCESSORIES INCLUDED

- Flat Beater
- Whisk
- Dough Hook
- Technique book is available online at wolfgourmet.com



SPECIFICATIONS

Bowl Capacity	7 quart (6.6 L)
Electrical Rating	120V~, 500W
Product	
Dimensions	18"W (457) x 11"D (279) x 18"H (457)
Weight	29.5 lbs (13.38 kg)
Carton	
Dimensions	19 3/8"W (492) x 13"D (330) x 20"H (508)
Weight	36.25 lbs (16.44 kg)
Master Pack	
Dimensions	13 1/2"W (343) x 20"D (508) x 21"H (533)
Weight	38.35 lbs (17.4 kg)
Quantity	1
Agency	



WOLFGOURMET.COM

4/2020

STAND MIXER FOOD GRINDER ATTACHMENT

MODEL

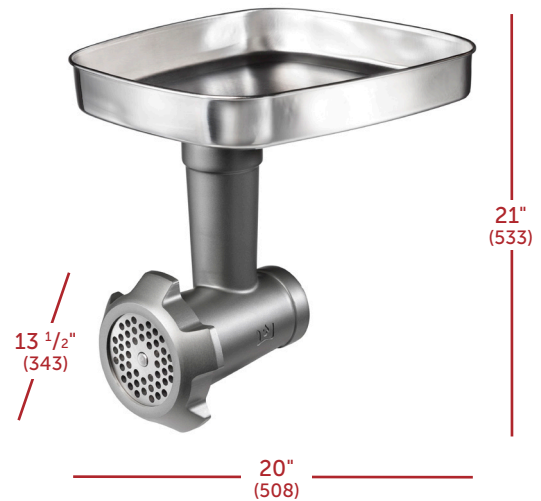
- WGS300S UPC 040094939541

FEATURES

- Easily locks onto the Wolf Gourmet Stand Mixer
- Durable stainless steel and cast aluminum construction for long life
- Three grinding discs and food pusher
- Sausage disc and stuffing funnel
- Convenient storage case
- 5 year limited warranty

ACCESSORIES INCLUDED

- Three grinding discs and food pusher
- Sausage disc and stuffing funnel
- Storage case



SPECIFICATIONS

Bowl Capacity	7 quart (6.6 L)
Product	
Dimensions	9 ³ / ₈ "W (238) x 10 ⁵ / ₈ "D (270) x 5 ¹⁵ / ₃₂ "H (139)
Weight	4 lbs (1.8 kg)
Carton	
Dimensions	10 ¹⁹ / ₃₂ "W (270) x 6 ²⁹ / ₃₂ "D (175) x 12 ¹⁹ / ₃₂ "H (320)
Weight	5.5 lbs (2.5 kg)
Master Pack	
Dimensions	11"W (280) x 7 ¹⁹ / ₆₄ "D (185) x 13 ¹ / ₂ "H (342)
Weight	6 lbs (2.7 kg)
Quantity	1

Agency



WOLFGOURMET.COM

4/2020

6" DEEP CHEF KNIFE

MODEL

- WGPU206S EAN 0040094936502

FEATURES

- Forged high-carbon stainless steel
- Razor-sharp cutting edge
- Comfortable pakkawood handle
- For right- or left- handed use
- Full tang
- Rounded spine and bolster
- Sharpened to 12.5° per side
- Tempered to optimal Rockwell C hardness of 61
- Made in Germany
- Lifetime limited warranty



SPECIFICATIONS

Blade Length	6" (15 cm)
Product	
Dimensions	10 ⁴ / ₅ "W (274) x 2"D (50) x 3 ³ / ₄ "H (19)
Weight	0.4 lbs (0.2 kg)
Carton	
Dimensions	14 ¹ / ₅ "W (361) x 1 ² / ₅ "D (36) x 3 ³ / ₅ "H (91)
Weight	0.6 lbs (0.3 kg)
Master Pack	
Dimensions	15 ¹ / ₂ "W (394) x 5 ⁹ / ₁₀ "D (150) x 4"H (100)
Weight	1.5 lbs (0.7 kg)
Quantity	2



WOLFGOURMET.COM

4/2020

8" CHEF'S KNIFE

MODEL

- WGPU118S EAN 0040094929436

FEATURES

- Forged high-carbon stainless steel
- Razor-sharp cutting edge
- Comfortable pakkawood handle
- For right- or left- handed use
- Full tang
- Rounded spine and bolster
- Sharpened to 12.5° per side
- Tempered to optimal Rockwell C hardness of 61
- Made in Germany
- Lifetime limited warranty



SPECIFICATIONS

Blade Length	8" (20 cm)
Product	
Dimensions	13"W (330) x 4/5"D (19) x 2"H (51)
Weight	0.6 lbs (.2 kg)
Carton	
Dimensions	17 1/2"W (445) x 1 2/5"D (35) x 3 1/2"H (89)
Weight	0.8 lbs (0.3 kg)
Master Pack	
Dimensions	6 1/10"W (155) x 18"D (457) x 4 1/2"H (114)
Weight	3.3 lbs (1.5 kg)
Quantity	4



WOLFGOURMET.COM

4/2020

3" PARING KNIFE

MODEL

- WGPU133S EAN 0040094929450

FEATURES

- Forged high-carbon stainless steel
- Razor-sharp cutting edge
- Comfortable pakkawood handle
- For right- or left- handed use
- Full tang
- Rounded spine and bolster
- Sharpened to 12.5° per side
- Tempered to optimal Rockwell C hardness of 61
- Made in Germany
- Lifetime limited warranty



SPECIFICATIONS

Blade Length	3" (8 cm)
Product	
Dimensions	7 ¹ / ₁₀ "W (181) x 4 ¹ / ₅ "D (20) x 9 ⁹ / ₁₀ "H (22)
Weight	0.2 lbs (0.1 kg)
Carton	
Dimensions	1 ¹ / ₅ "W (30) x 1 ¹ / ₁₀ "D (28) x 8"H (203)
Weight	1 lbs (0.5 kg)
Master Pack	
Dimensions	2 ³ / ₅ "W (65) x 2 ² / ₅ "D (62) x 8 ³ / ₁₀ "H (211)
Weight	4.3 lbs (1.9 kg)
Quantity	4



WOLFGOURMET.COM

4/2020

5 1/2" UTILITY KNIFE

MODEL

- WGPU155S EAN 0040094929474

FEATURES

- Forged high-carbon stainless steel
- Razor-sharp cutting edge
- Comfortable pakkawood handle
- For right- or left- handed use
- Full tang
- Rounded spine and bolster
- Sharpened to 12.5° per side
- Tempered to optimal Rockwell C hardness of 61
- Made in Germany
- Lifetime limited warranty

5 1/2"
(14 cm)



SPECIFICATIONS

Blade Length	5 1/2" (14 cm)
Product	
Dimensions	10 2/5"W (264) x 3/4"D (19) x 1 1/2"H (38)
Weight	0.4 lbs (0.2 kg)
Carton	
Dimensions	14 1/10"W (358) x 1 2/5"D (35) x 3 3/5"H (91)
Weight	0.6 lbs (0.3 kg)
Master Pack	
Dimensions	6 1/4"W (158) x 14 3/5"D (371) x 4 2/5"H (111)
Weight	2.5 lbs (1.1 kg)
Quantity	4



WOLFGOURMET.COM

4/2020

5 1/2" SERRATED UTILITY KNIFE

MODEL

- WGPU156S EAN 0040094938421

FEATURES

- Forged high-carbon stainless steel
- Razor-sharp cutting edge
- Comfortable pakkawood handle
- For right- or left- handed use
- Full tang
- Rounded spine and bolster
- Sharpened to 12.5° per side
- Tempered to optimal Rockwell C hardness of 61
- Made in Germany
- Lifetime limited warranty

5 1/2"
(14 cm)



SPECIFICATIONS

Blade Length	5 1/2" (14 cm)
Product	
Dimensions	10 3/8"W (264) x 3/4"D (19) x 1 1/2"H (38)
Weight	0.4 lbs (0.2 kg)
Carton	
Dimensions	14 1/8"W (359) x 1 3/8"D (35) x 3 1/2"H (89)
Weight	0.6 lbs (0.3 kg)
Master Pack	
Dimensions	14 7/16"W (367) x 3 15/16"D (97) x 3 3/8"H (86)
Weight	1.35 lbs (0.6 kg)
Quantity	4



WOLFGOURMET.COM

4/2020

10" SERRATED BREAD KNIFE

MODEL

- WGCU140S EAN 0040094929467

FEATURES

- Forged high-carbon stainless steel
- Razor-sharp cutting edge
- Comfortable pakkawood handle
- For right- or left- handed use
- Full tang
- Rounded spine and bolster
- Sharpened to 12.5° per side
- Tempered to optimal Rockwell C hardness of 61
- Made in Germany
- Lifetime limited warranty

SPECIFICATIONS

Blade Length	10" (26 cm)
Product	
Dimensions	15 ³ / ₁₀ "W (387) x 4 ¹ / ₅ "D (19) x 1 ³ / ₅ "H (40)
Weight	0.5 lbs (0.2 kg)
Carton	
Dimensions	17 ¹ / ₂ "W (444) x 1 ³ / ₁₀ "D (33) x 3 ¹ / ₂ "H (88)
Weight	0.8 lbs (0.4 kg)
Master Pack	
Dimensions	6 ¹ / ₁₀ "W (155) x 18 ³ / ₁₀ "D (458) x 4 ² / ₅ "H (111)
Weight	3.4 lbs (1.5 kg)
Quantity	4



WOLFGOURMET.COM

4/2020

6 1/2" HOLLOW-EDGED SANTOKU KNIFE

MODEL

- WGPU127S EAN 0040094937738

FEATURES

- Forged high-carbon stainless steel
- Hollow edge ensures food slides away
- Razor-sharp cutting edge
- Comfortable pakkawood handle
- For right- or left- handed use
- Full tang
- Rounded spine and bolster
- Sharpened to 12.5° per side
- Tempered to optimal Rockwell C hardness of 61
- Made in Germany
- Lifetime limited warranty

6 1/2"
(16 cm)



SPECIFICATIONS

Blade Length	6 1/2" (16 cm)
Product	
Dimensions	11 3/4"W (298) x 2"D (51) x 3/4"H (19)
Weight	0.5 lbs (.3 kg)
Carton	
Dimensions	12 1/4"W (311) x 2 1/2"D (64) x 1 3/10"H (33)
Weight	1 lbs (0.5 kg)
Master Pack	
Dimensions	12 3/5"W (320) x 4 7/10"D (119) x 2 7/10"H (69)
Weight	4.1 lbs (1.9 kg)
Quantity	2



WOLFGOURMET.COM

4/2020

7" BONING KNIFE

MODEL

- WGPU167S EAN 0040094929481

FEATURES

- Forged high-carbon stainless steel
- Razor-sharp cutting edge
- Comfortable pakkawood handle
- For right- or left- handed use
- Full tang
- Rounded spine and bolster
- Sharpened to 12.5° per side
- Tempered to optimal Rockwell C hardness of 61
- Made in Germany
- Lifetime limited warranty

7"
(17 cm)



SPECIFICATIONS

Blade Length	7" (17 cm)
Product	
Dimensions	12"W (304) x 1 1/4"D (31) x 3/4"H (19)
Weight	0.4 lbs (0.2 kg)
Carton	
Dimensions	14 1/4"W (362) x 3 3/5"D (91) x 1 2/5"H (36)
Weight	0.6 lbs (0.3 kg)
Master Pack	
Dimensions	14 3/5"W (371) x 6 1/5"D (158) x 4 2/5"H (112)
Weight	2.7 lbs (1.2 kg)
Quantity	4



WOLFGOURMET.COM

4/2020

9" CARVING KNIFE

MODEL

- WGPU179S EAN 0040094929478

FEATURES

- Forged high-carbon stainless steel
- Razor-sharp cutting edge
- Comfortable pakkawood handle
- For right- or left- handed use
- Full tang
- Rounded spine and bolster
- Sharpened to 12.5° per side
- Tempered to optimal Rockwell C hardness of 61
- Made in Germany
- Lifetime limited warranty

SPECIFICATIONS

Blade Length	9" (22 cm)
Product	
Dimensions	14"W (356) x 1 1/2"D (38) x 3/4"H (19)
Weight	0.5 lbs (.3 kg)
Carton	
Dimensions	17 3/5"W (447) x 3 1/2"D (89) x 1 1/2"H (38)
Weight	0.7 lbs (0.3 kg)
Master Pack	
Dimensions	18 1/4"W (464) x 6 1/4"D (159) x 4"H (102)
Weight	1.4 lbs (0.6 kg)
Quantity	4



WOLFGOURMET.COM

4/2020

10" HONING STEEL

MODEL

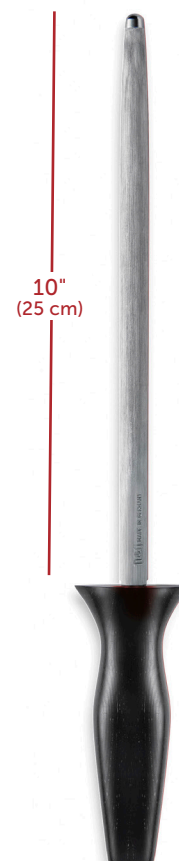
- WGPU190S EAN 0040094929504

FEATURES

- Hardened high-carbon steel - hardened to 66 on Rockwell C hardness scale
- Steel is magnetized to make honing easier
- Comfortable, moisture-resistant pakkawood handle
- Narrowed tip makes it easier to guide knife across the entire surface
- Precision micro-cuts help knife achieve an optimal, razor-sharp edge
- Made in Germany
- Lifetime limited warranty

SPECIFICATIONS

Steel Length	10" (25 cm)
Product	
Dimensions	1 ⁷ / ₁₀ "W (43) x 14 ⁷ / ₁₀ "D (373) x 1 ¹ / ₁₀ "H (28)
Weight	0.5 lb (0.2 kg)
Carton	
Dimensions	17 ¹ / ₂ "W (445) x 3 ¹ / ₂ "D (88) x 1 ³ / ₄ "H (44)
Weight	0.9 lbs (0.4 kg)
Master Pack	
Dimensions	7 ¹ / ₄ "W (184) x 17 ⁹ / ₁₀ "D (455) x 4"H (101)
Weight	4 lbs (1.7 kg)
Quantity	4



WOLFGOURMET.COM

4/2020

8" CHEF'S AND 3" PARING KNIFE SET

MODEL

- WGPU212S EAN 0040094937523

FEATURES

- Forged high-carbon stainless steel
- Razor-sharp cutting edge
- Comfortable pakkawood handle
- For right- or left- handed use
- Full tang
- Rounded spine and bolster
- Sharpened to 12.5° per side
- Tempered to optimal Rockwell C hardness of 61
- Made in Germany
- Lifetime limited warranty



SPECIFICATIONS

Blade Length Chef's Knife 8" (20 cm) / Paring Knife 3" (8 cm)

Carton

Dimensions 15 ²/₅"W (386) x 1 ¹/₂"D (38) x 4 ³/₅"H (117)

Weight 1 lb (0.5 kg)

Master Pack

Dimensions 15 ¹/₂"W (394) x 3 ³/₅"D (84) x 5 ¹/₅"H (132)

Weight 2.3 lbs (0.7 kg)

Quantity 2



WOLFGOURMET.COM

4/2020

5 1/2" UTILITY AND 3" PARING KNIFE SET

MODEL

- WGPU213S EAN 0040094937530

FEATURES

- Forged high-carbon stainless steel
- Razor-sharp cutting edge
- Comfortable pakkawood handle
- For right- or left- handed use
- Full tang
- Rounded spine and bolster
- Sharpened to 12.5° per side
- Tempered to optimal Rockwell C hardness of 61
- Made in Germany
- Lifetime limited warranty



SPECIFICATIONS

Blade Length Utility Knife 5 1/2" (14 cm) / Paring Knife 3" (8 cm)

Carton

Dimensions 15 2/5"W (386) x 1 1/2"D (38) x 4 3/5"H (117)

Weight 0.9 lb (0.4 kg)

Master Pack

Dimensions 15 1/2"W (394) x 3 3/5"D (84) x 5 1/5"H (132)

Weight 2 lbs (0.9 kg)

Quantity 2



WOLFGOURMET.COM

4/2020

6 1/2" SANTOKU AND 3" PARING KNIFE

MODEL

- WGPU214S EAN 0040094937905

FEATURES

- Forged high-carbon stainless steel
- Razor-sharp cutting edge
- Comfortable pakkawood handle
- For right- or left- handed use
- Full tang
- Rounded spine and bolster
- Sharpened to 12.5° per side
- Tempered to optimal Rockwell C hardness of 61
- Made in Germany
- Lifetime limited warranty



SPECIFICATIONS

Blade Length Santoku Knife 6 1/2" (16 cm) / Paring Knife 3" (8 cm)

Carton

Dimensions 15 2/5"W (386) x 1 1/2"D (38) x 4 3/5"H (117)

Weight 1 lb (0.5 kg)

Master Pack

Dimensions 15 1/2"W (394) x 3 3/5"D (84) x 5 1/5"H (132)

Weight 2.3 lbs (1.1 kg)

Quantity 2



WOLFGOURMET.COM

4/2020

CARVING KNIFE AND FORK SET

MODEL

- WGPU211S EAN 0040094936519

FEATURES

- Forged high-carbon stainless steel
- Razor-sharp cutting edge
- Comfortable pakkawood handle
- For right- or left- handed use
- Full tang
- Rounded spine and bolster
- Sharpened to 12.5° per side
- Tempered to optimal Rockwell C hardness of 61
- Made in Germany
- Lifetime limited warranty



SPECIFICATIONS

Blade Length	Carving Knife 9" (23 cm) / Fork 8" (20 cm)
Carton	
Dimensions	15 ⁷ / ₁₆ "W (392) x 4 ¹³ / ₁₆ "D (122) x 1 ⁷ / ₁₆ "H (37)
Weight	1.42 lb (0.6 kg)
Master Pack	
Dimensions	5 ¹ / ₁₆ "W (129) x 16 ¹ / ₂ "D (419) x 1 ¹¹ / ₁₆ "H (43)
Weight	1.6 lbs (0.7 kg)
Quantity	1



WOLFGOURMET.COM

4/2020

4 PIECE STEAK KNIFE SET

MODEL

- WGPU284S EAN 0040094938605

FEATURES

- Forged high-carbon stainless steel
- Razor-sharp cutting edge
- Comfortable pakkawood handle
- For right- or left- handed use
- Full tang
- Rounded spine and bolster
- Sharpened to 12.5° per side
- Tempered to optimal Rockwell C hardness of 61
- Made in Germany
- Lifetime limited warranty



SPECIFICATIONS

Blade Length	4 1/2" (11 cm)
Carton	
Dimensions	11 1/8"W (282) x 5 9/16"D (141) x 1 1/16"H (27)
Weight	1.42 lb (0.6 kg)
Master Pack	
Dimensions	5 15/16"W (151) x 12 1/4"D (311) x 1 5/16"H (33)
Weight	1.56 lbs (0.7 kg)
Quantity	1



WOLFGOURMET.COM

4/2020

7 PIECE CUTLERY SET

MODEL

- WVCU100S EAN 0040094923960

FEATURES

- Forged high-carbon stainless steel
- Tempered to optimal Rockwell C hardness of 61
- Sharpened to 12.5° per side
- Razor-sharp cutting edge
- Comfortable pakkawood handles
- For right- or left- handed use
- Full tang
- Rounded spine and bolster
- Cutlery made in Germany
- Lifetime limited warranty



CUTLERY SET INCLUDES

- 10 inch serrated bread knife
- 8 inch chef's knife
- 6 1/2 inch Santoku knife
- 3 inch paring knife
- 10 inch honing steel
- Kitchen shears
- Hardwood storage block

SPECIFICATIONS

Product		
Dimensions	6 1/10"W (155) x 12"D (305) x 14 1/2"H (368)	
Weight	11 lbs (5 kg)	
Carton		
Dimensions	16 3/5"W (422) x 9 3/5"D (243) x 12 2/5"H (315)	
Weight	15.1 lbs (7 kg)	
Master Pack		
Dimensions	10 1/10"W (262) x 17 1/10"D (435) x 13 2/5"H (340)	
Weight	16.3 lbs (7.4 kg)	
Quantity	1	



WOLFGOURMET.COM

4/2020

WOLF GOURMET RESIDENTIAL LIMITED WARRANTY

FOR RESIDENTIAL USE

LIMITED FIVE YEAR WARRANTY

This Wolf Gourmet product warranty applies only to appliances. Wolf Gourmet warrants appliances to be free from defects in materials or workmanship for a period of five (5) years from the date of original purchase.

LIFETIME LIMITED WARRANTY

This Wolf Gourmet product warranty applies only to cutlery products. Wolf Gourmet warrants cutlery to be free of defects in materials or workmanship for the lifetime of the product. Minor imperfections and discolorations are normal and are not considered defects.

TERMS APPLICABLE TO EACH WARRANTY

This Wolf Gourmet Residential Limited Warranty applies to appliances, and cutlery purchased and used in the U.S. This is the only express warranty for this product and is in lieu of any other warranty. During the warranty period, your exclusive remedy is repair or replacement of the product or any component found to be defective, at our option. All service provided by Wolf Gourmet under this warranty must be performed by Wolf Gourmet factory-certified service, unless otherwise approved in advance by Wolf Gourmet, and all service will be provided during normal business hours.

This warranty does not cover wear from normal use, use not in conformity with the printed directions, or damage to the product resulting from negligence, accident, alteration, abuse, misuse, or improper service or repair. This warranty is void if the product is used for other than residential use or subjected to any voltage or waveform other than as specified on the rating label (e.g., 120V ~ 60 Hz). This warranty extends only to the original consumer purchaser or initial gift recipient.

Wolf Gourmet excludes all claims for special, incidental, and consequential damages caused by breach of express or implied warranty. All liability is limited to the amount of the purchase price. **EVERY IMPLIED WARRANTY, INCLUDING ANY WARRANTY OF MERCHANTABILITY OR FITNESS FOR A PARTICULAR PURPOSE, IS DISCLAIMED EXCEPT TO THE EXTENT PROHIBITED BY LAW, IN WHICH CASE SUCH WARRANTY IS LIMITED TO THE DURATION OF THIS WRITTEN WARRANTY.** This warranty gives you specific legal rights. You may have other legal rights that vary depending on where you live. Some states do not allow limitations on implied warranties or special, incidental or consequential damages, so the foregoing limitations may not apply to you.

To make a warranty claim and receive the name of the Wolf Gourmet factory-certified service personnel nearest to you, please contact Wolf Appliance, Inc., P.O. Box 44848, Madison, WI 53744; or visit the contact & support section of our website at wolfappliance.com; or email us at customerservice@subzero.com; or call 800.222.7820. For faster service, please locate the model, type and series numbers on your product's rating label.



WOLFGOURMET.COM

4/2020



WOLF APPLIANCE, INC. 4421 WATERFRONT DRIVE, GLEN ALLEN, VIRGINIA 23060 800-222-7820